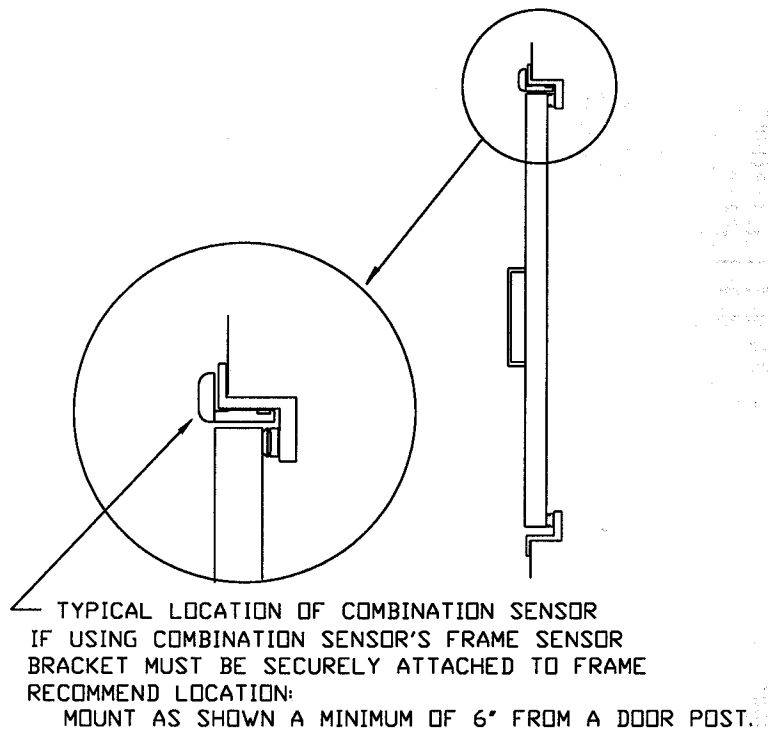
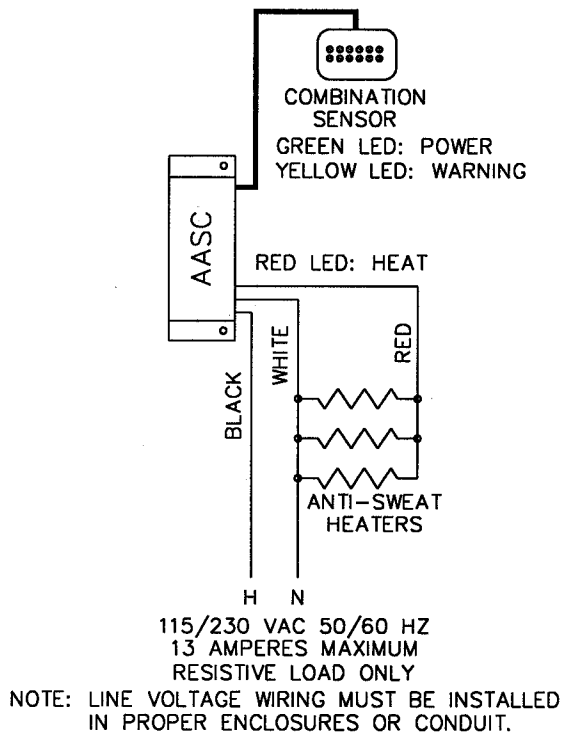


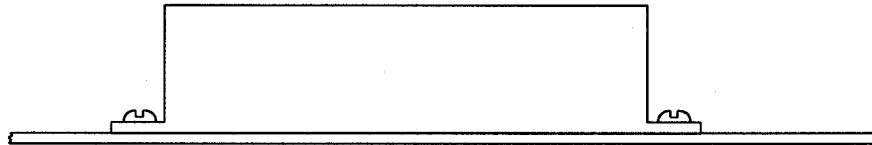
# AASC INSTALLATION INSTRUCTIONS

## WIRING DIAGRAM

## COMBINATION SENSOR MOUNTING



## AASC MOUNTING

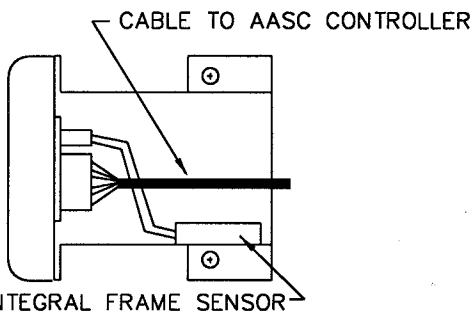


FOR PROPER HEAT REJECTION, CONTROLLER MUST BE MOUNTED TO A SHEET METAL OF AT LEAST 30 SQ-IN. USE THERMAL GREASE (PN: 57038) TO FILL ANY GAPS BETWEEN AASC AND SURFACE BETWEEN THE CONTROLLER AND THE SHEET METAL SURFACE.  
CONTROLLER AND LINE VOLTAGE WIRING MUST BE INSTALLED IN A SUITABLE ELECTRICAL ENCLOSURE  
NOTE: THE AASC-R (PN: 57011) INCLUDES THE HEAT SINK AND NEMA 1 ENCLOSURE.

## FRAME SENSOR SELECTION AND WIRING

THE SELECTION OF THE FRAME SENSOR MUST TAKE INTO ACCOUNT THE LOCATION OF THE COLDEST PART OF THE FRAME. EITHER THE FRAME SENSOR IS MOUNTED IN THE COLDEST SPOT OR THE TEMPERATURE IS OFFSET TO COMPENSATE.

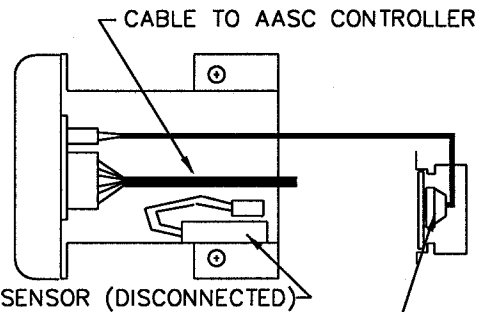
### USING INTEGRAL FRAME SENSOR WITH OFFSET



COMBINATION SENSOR WITH 0 F OFFSET (PN: 57001)  
COMBINATION SENSOR WITH 5 F OFFSET (PN: 57002)  
COMBINATION SENSOR WITH 10 F OFFSET (PN: 57003)

THE COMBINATION SENSORS WITH TEMPERATURE OFFSETS ARE USED WHEN THE FRAME SENSOR IS NOT LOCATED IN THE COLDEST PORTION OF THE FRAME.

### USING A REMOTE FRAME SENSOR



MAGNETIC REMOTE FRAME SENSOR (PN: 57013)  
MAGNETICALLY MOUNTED BEHIND STEEL GASKET STRIKE PLATE IN THE COLDEST PART OF THE FRAME.  
RECOMMENDATION FOR REACH-IN DISPLAY FIXTURES:  
MOUNT ON THE LOWER HORIZONTAL RAIL 6" FROM A DOOR POST  
RECOMMENDATION FOR FRAME MOUNTED IN WALK-IN:  
USE INTEGRAL SENSOR, NO REMOTE FRAME SENSOR REQUIRED